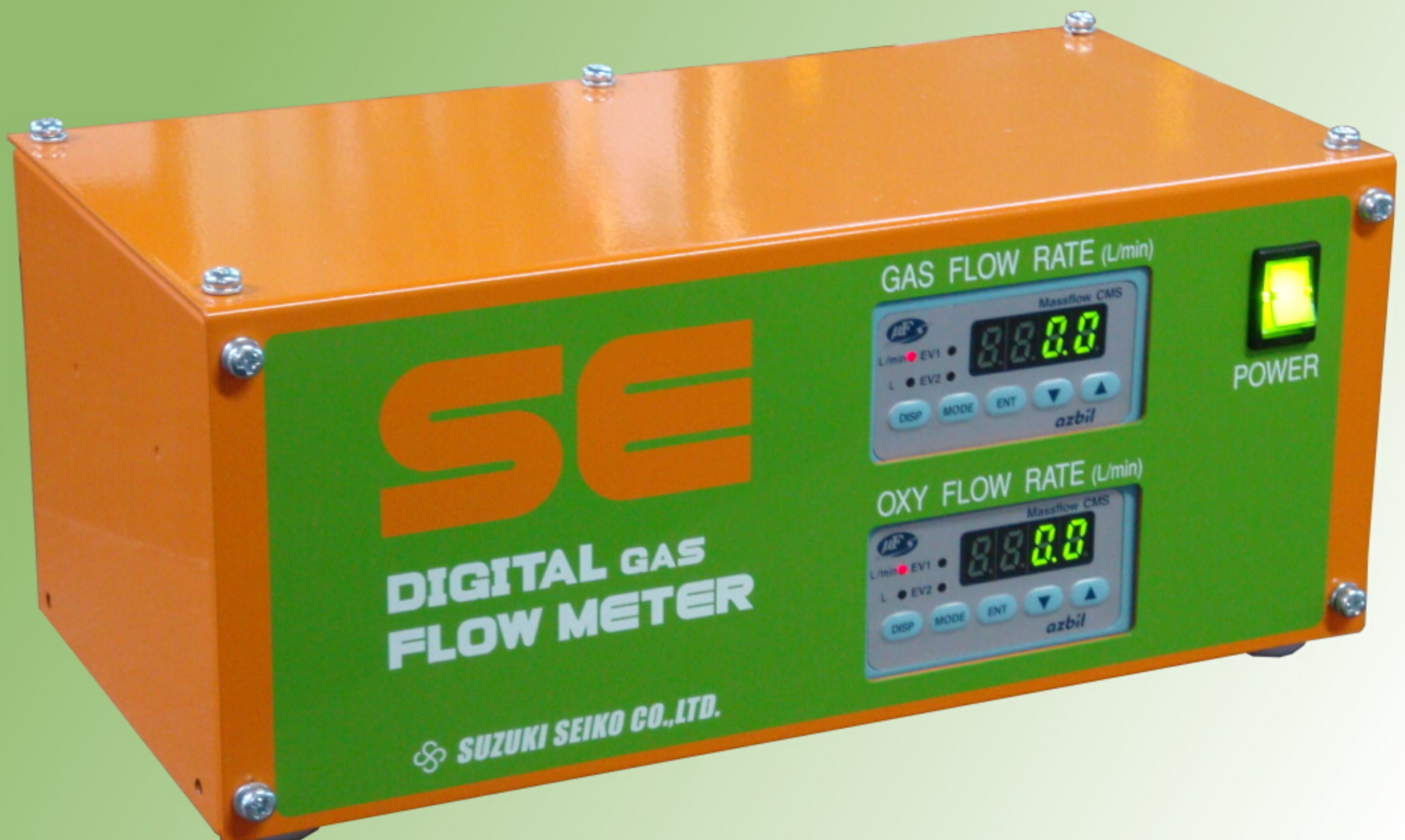


SE DIGITAL GAS FLOW METER

SE GAS CONTROL SYSTEM



Characteristic

- **The flowing quantity of the gas being used now can be displayed by the unit of 0.1L/min with the mass flow meter. moreover, It is possible to measure the amount of use of gas accurately by the integrating flowmeter.**
- **Everyone can measure an accurate value without the error of measurement. Moreover, it is not necessary to correct the temperature and pressure to measure it by mass flow.**
- **The thing connected with the gas controller of all manufacturers is possible. Such as "SE-SAVER".**
- **It is possible to control the gas more highly by the thing connected with "SE-GAS CONTROLLER".**

SUZUKI SEIKO CO.,LTD.

Specifications

Flammable Gas	Acetylene・Methene・LPG・Butane・LNG
Supporting Gas	Oxygen・Air
Display	7segment LED 4digits display/Moment flow rate・Integrated flow rate alternate display
Resolution	0.1L/min
Unit (Integrating flower)	1L
Range(Integrating flower)	0~99999999L
Switch display menu	Moment Fow Rate/Integrated Flow Rate
Gas Connection	M16×1.5R Flammable Gas (L) / Oxy or Air (R)
Power Supply	AC100V~240V 50/60Hz
Weght	4kg

	Gas Kind	Max.flow	Resolution
Oxygen(Air)	Oxigen ※1	50	0.1
	Air ※2	50	0.1
Flammable Gas	Acetylene ※3	28	0.1
	Methene	50	0.1
	LPG	14	0.1
	Butane	12	0.1
	LNG	40	0.1

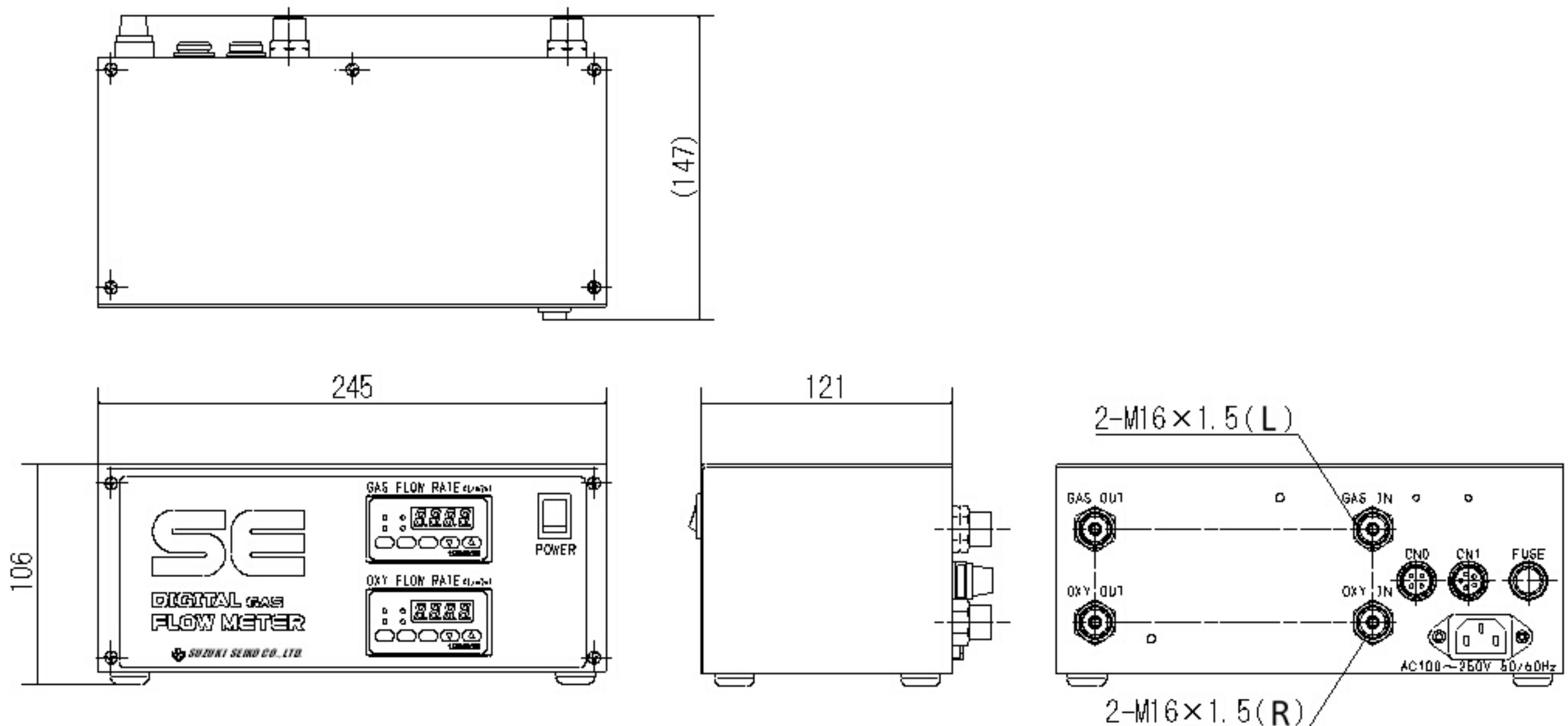
UNIT(L/min)

※1 For Oxygen cannot be used with the mass flow meter for air.

※2 For Air cannot be used with the mass flow meter for Oxygen

※3 For Acetylene cannot be used with the mass flow meter for other flammable gas

Dimensional Outline Drawing



Manufacturing and selling of a special heating device and a special fusion machine.
A medical instrument, medical gas, and other high-pressures gas sale.

Agent

SUZUKI SEIKO CO.,LTD.

1-6-10 Shinke Neyagawa-city Osaka, Japan

[Phone] (072)821-2631

[FAX] (072)824-0410

[URL] <http://www.suzuki-seiko.com>

[e-mail] info@suzuki-seiko.com