



Fig. 1: Elstein WKS infrared radiator  
Top: Front of the heater. Bottom: Rear.

Elstein WKS infrared radiators are ceramic IR dark radiators, which are very suited for the requirements in room heating devices regarding material, geometry, function, design and mounting.

The flat plano-convex design in connection with the wave pattern onto the white glazed radiator surface generate a harmonious optical impression and enables building of space-saving room heaters.

With the help of the surrounding border of the radiator, room heating panels can be assembled by fixing WKS radiators to a carrying metal sheet with a metal frame or metal profiles. Room heaters can have the design of horizontal or vertical radiator lines, they can be mounted on stands or they can be installed in bigger sizes to wall and ceiling.

WKS radiators make building of heating systems with high radiation power and short heating-up time possible. The radiator's back has a thermally resistant insulation.

Elstein WKS infrared radiators are available with powers up to 600 W.

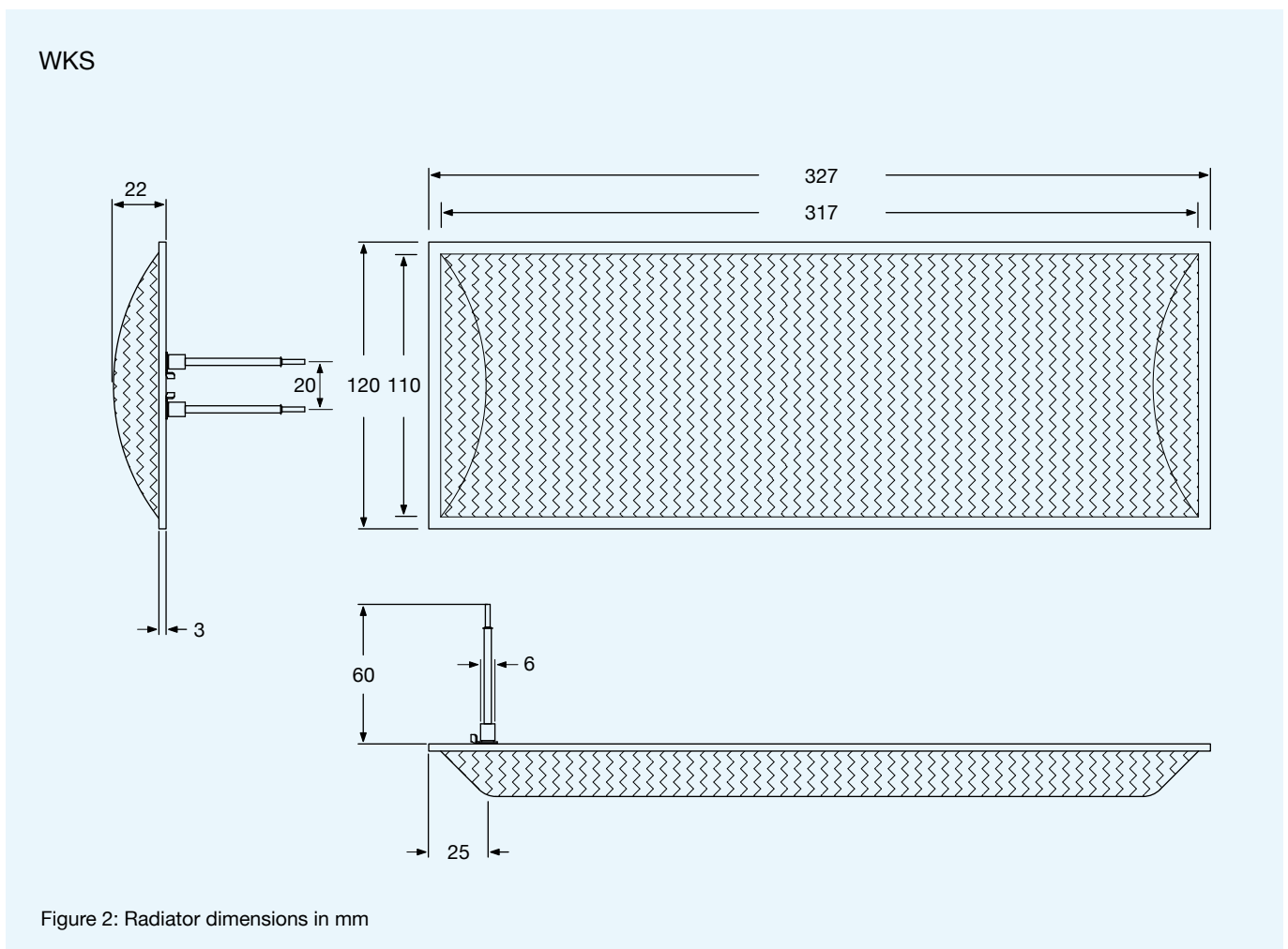
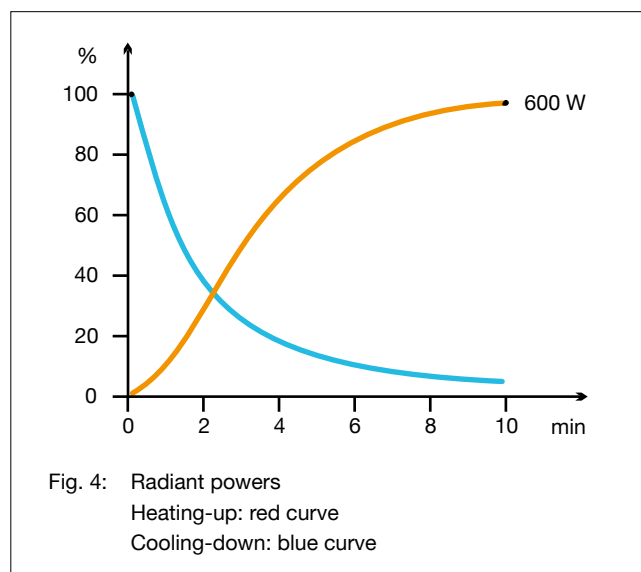
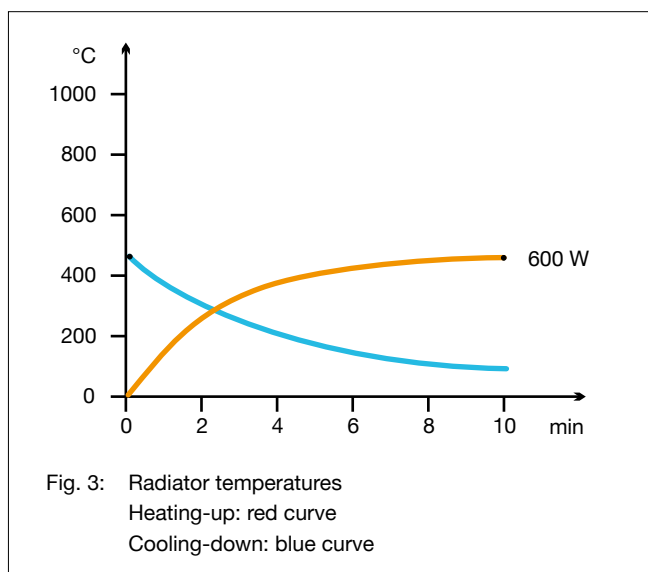


Figure 2: Radiator dimensions in mm



Type, weight, wattage	WKS	260 g	400	600	W
Surface rating			9.6	14.4	kW/m <sup>2</sup>
Typical operating temperature			370	450	°C
Maximum permissible temperature			600	600	°C
Wavelength range			2 - 10		µm

<b>Standard design</b> Operating voltage 230 V Ceramic full-pour casting White glaze Integrated thermal insulation Heater's back open Leads 60 mm Leads with insulating sleeve	<b>Thermocouple radiators</b> Not available. For means of controlling output see below.	<b>Variants</b> Special wattages Special voltages Extended leads Leads with ring terminals
---	---	--

The power can be controlled using proprietary power controllers or dimmers.

The national safety regulations must be complied with for the respective application, for example, the IEC or EN standard 60519-1 „Safety in electrical heating installations“.

Our instructions for mounting, operation and safety must be observed.